

# WBA™ -SS2

## WORLD BILL ACCEPTOR



The **WBA-SS2** World Bill Acceptor transport and cash box are engineered to be wider to specifically accommodate the Euro currency, while maintaining the standard frame size.

### JCM Technology Delivers the Highest Performance and Security to Worldwide Markets

Uses Five Sensing Technologies

Provides Fast Validation Speed - Notes Stacked  
in ~5 Seconds

Wider Transport and Cash Box for Euro Currency  
up to 82mm

Serial Interface (Photocoupler Isolation)

Highest Acceptance of Street Grade Bills

Easy Access for Service, No Tools Necessary



SECURITY • TECHNOLOGY • SOLUTIONS

# WBA™ -SS2

## SPECIFICATIONS

### Power Requirements

DC + 12V (+/- 5%), Standby - 3VA, Operating - 20VA (Max 30VA)

### Cash Box Capacity

500 Notes

### Configurations

- WBA-24/25 = 4 Mb Memory
- WBA-24 = Flash Programmable
- WBA-25 = EPROM Based

### Validation Speed

2 Seconds, Complete Stacking ~5 Seconds

### Environment

Operating 5° - 50°C, Storage -20° - 60°C,  
Humidity 30% - 80% RH (Non Condensing)

### Weight

WBA-24/25 Including Cash Box - 5 kg / 11 lb

### Dimensions (WxDxH)

114 x 225 x 298mm / 4.5 x 8.9 x 11.7 inches

### Note Insertion

Lengthwise, Width 62 - 82mm / 2.4 - 3.2 in

### Installation

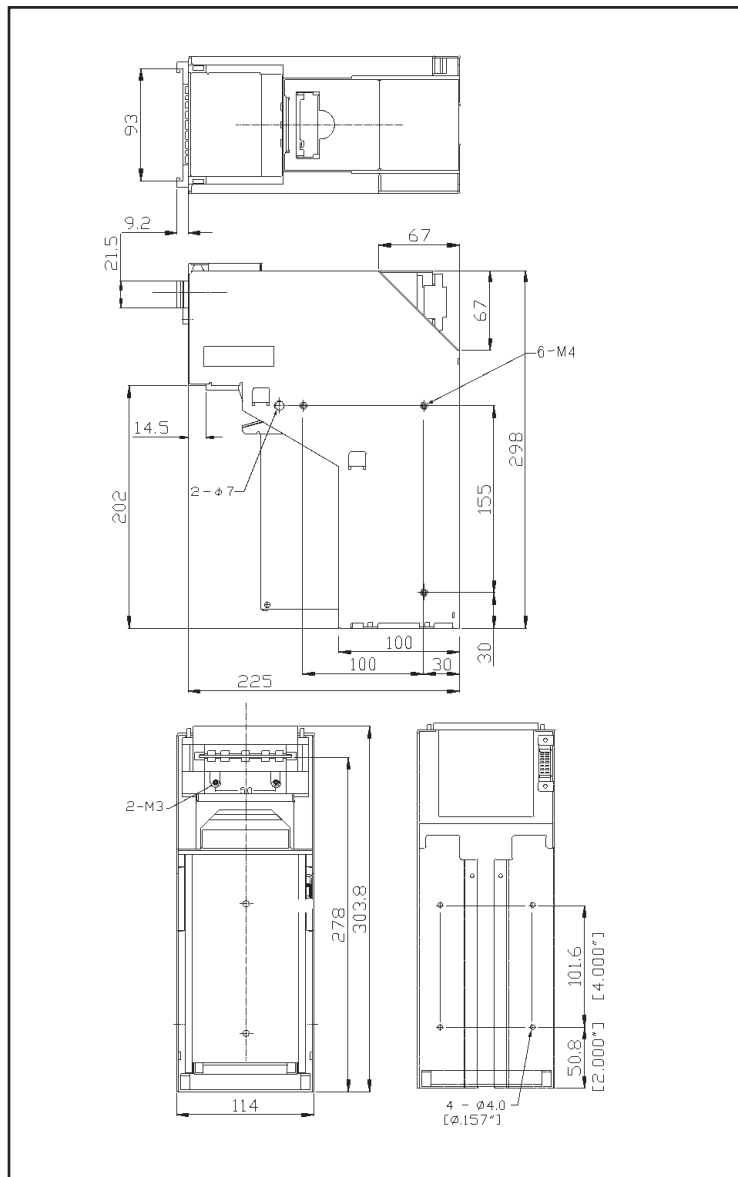
Horizontal Mounting, Internal Use Only

### Software

Software upgrades are released for anti-theft, currency changes and security measures. JCM software is copyrighted to JCM American Corp.

### Technical Support

Training classes are available for all JCM products.



US/CSA/CE Approved

JCM and the JCM logo are registered trademarks of Japan Cash Machine Co., Ltd. and JCM American Corporation. All other marks are registered trademarks of their respective owners.

REV #: 05292002

**JCM American Corporation**  
925 Pilot Road • Las Vegas, Nevada 89119  
Tel: 702-651-0000 Fax: 702-644-5512 800.683.7248  
e-mail: sales@jcm-american.com  
www.jcm-american.com

**JCM Germany GmbH**  
Muendelheimer Weg 60 • D-40472 Duesseldorf  
Tel: +49-211-5306450 Fax: +49-211-53064565  
e-mail: info@jcm-germany.com  
www.jcm-germany.com

