



1000 NOTE *plastic cash box*

DELIVERING THE HIGHEST PERFORMANCE AND SECURITY TO WORLDWIDE MARKETS
THE 1000 NOTE PLASTIC CASH BOX PROVIDES A CASH HANDLING SOLUTION THAT IS
LIGHTWEIGHT, SECURE AND COMPATIBLE WITH WBA® AND UBA® BILL ACCEPTOR PLATFORMS.

TRANSACT
Technologies Incorporated

JCM
GLOBAL

FOVIS
Total Visual Appliance

- HIGH IMPACT PLASTIC • COLLAR EMBEDDED STUDS
- ALIGNMENT AND GEAR MECHANISM PROTECTION
- LAST BILL-IN VIEWING WINDOW
- COMPATIBLE WITH WBA® AND UBA® BILL VALIDATOR UNITS
- OPTIONS: INTELLIGENT CASH BOX COMPATIBLE
- COMPATIBLE WITH MOST GAMING MACHINE PLATFORMS

HOPPER/MAGAZINE CAPACITY

ABOVE 1,000 NOTES
(IN RELATION TO NOTE CONDITION)

SHIPPING WEIGHT

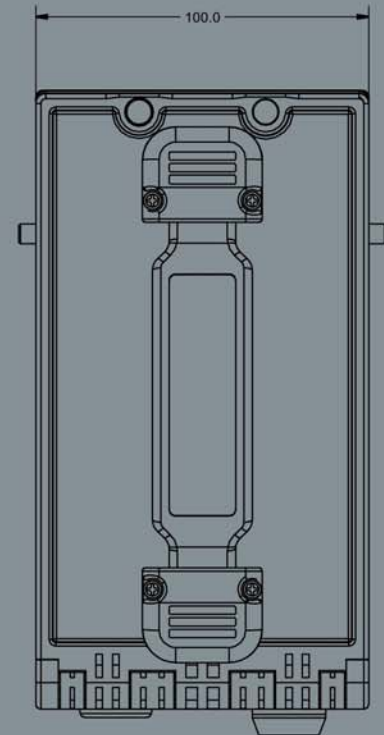
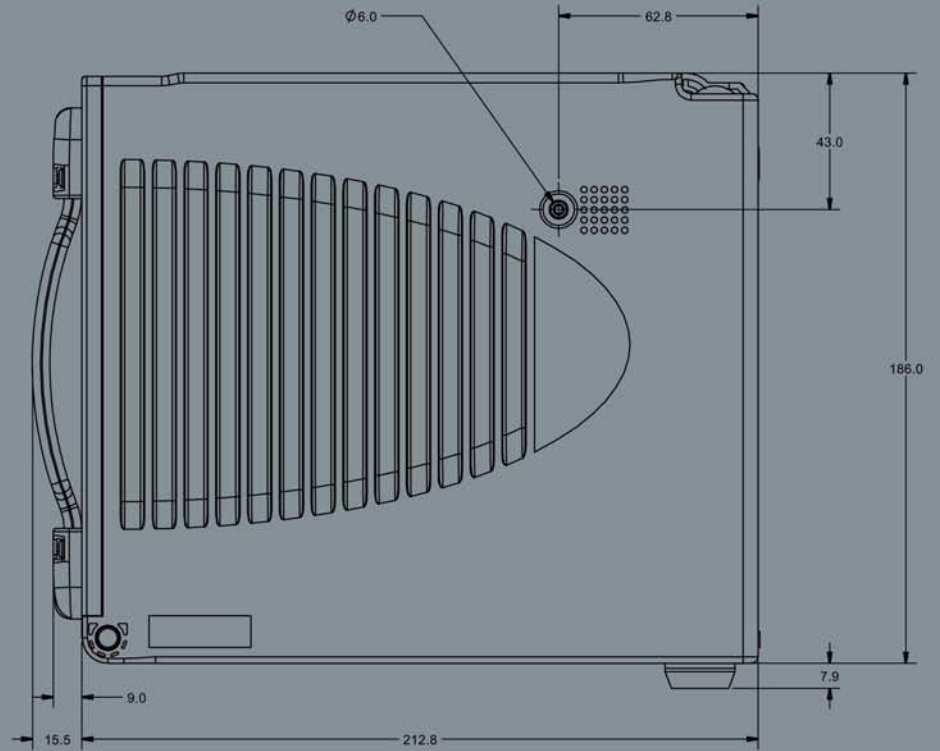
WEIGHT WITH EMPTY HOPPER -
2.3 KG / 5 LB

TECHNICAL SUPPORT

TRAINING CLASSES ARE AVAILABLE
FOR ALL JCM PRODUCTS

FEATURES

- LAST BILL IN VIEWING WINDOW
- EMBEDDED ICB TECHNOLOGY



925 PILOT ROAD • LAS VEGAS, NEVADA 89119
T 702.651.0000 • F 702.644.5512 • 800.683.7248
SALES@JCMGLOBAL.COM • WWW.JCMGLOBAL.COM

JCM and the JCM logo are registered trademarks of Japan Cash Machine Co., Ltd. and JCM American Corporation.
All other marks are registered trademarks of their respective owners. JCM reserves the right to change product specifications without notice.